

L1 – N_P Series Surface Mounted Connector

| | | |
|-----------------------------|------------------------------|------------------------------------|
| Electrical Data | IEC / EN | UL |
| Rated Voltage (V) | 160 | 600 |
| Rated Current (A) | 9 | 9 |
| Connection Data | IEC / EN (mm ²) | UL (AWG) |
| Solid Conductor | 0.2 - 0.75 | AWG 18 - 24 |
| Stranded Conductor | 0.2 - 0.75 | AWG 18 - 24 |
| Flexible Conductor | 0.2 - 0.75 | - |
| Strip Length of Cable | | 8 - 9mm |
| Means of Connection | | Push In |
| Rewireable | | Yes |
| Number of Terminals | | N1P: Single N2P / N3P: Multiway |
| Number of Connection Points | | N1P: 1 / N2P: 2 / N3P: 3 |
| Means of Fixing | | Solder |
| Materials | | Polyamide 46 |
| Flammability Class | | UL 94V-2 |

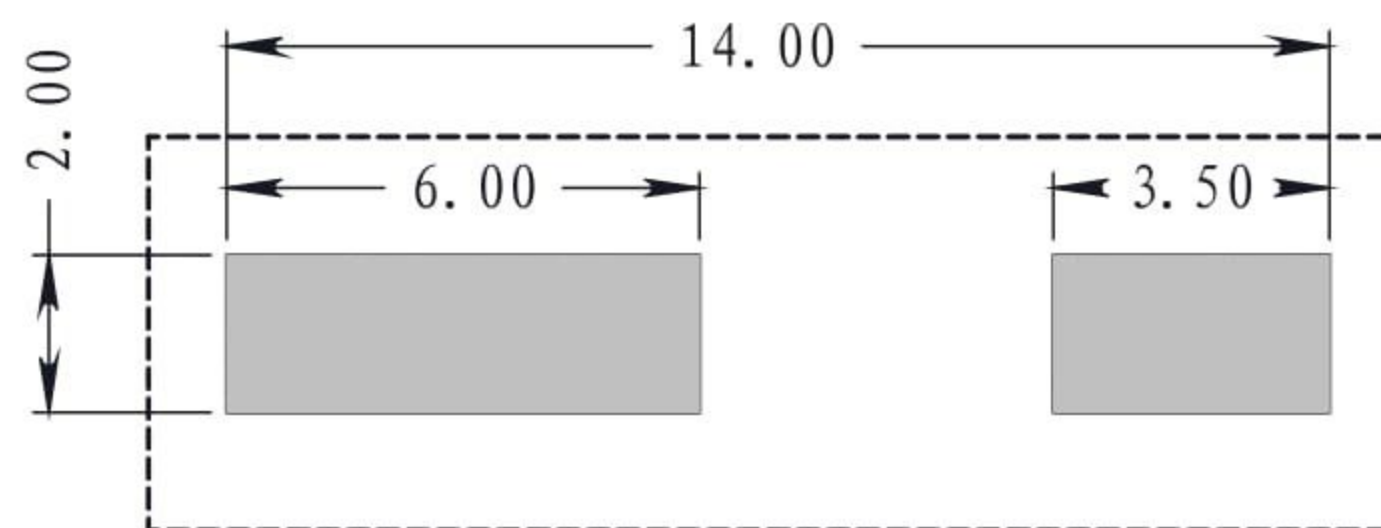
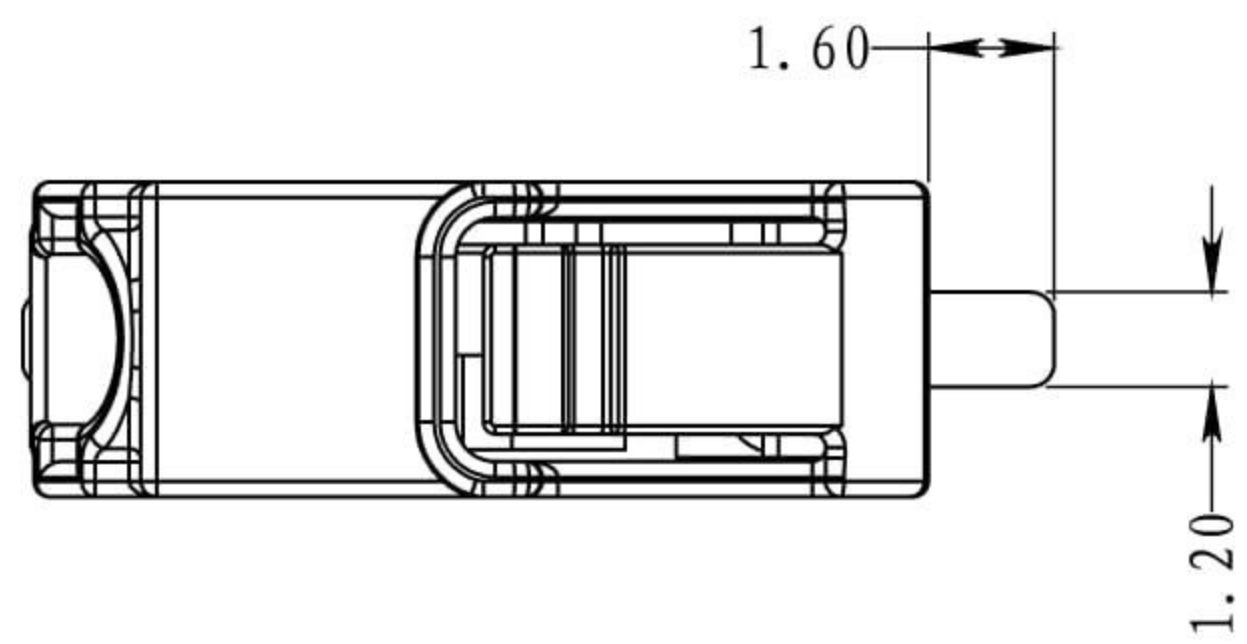
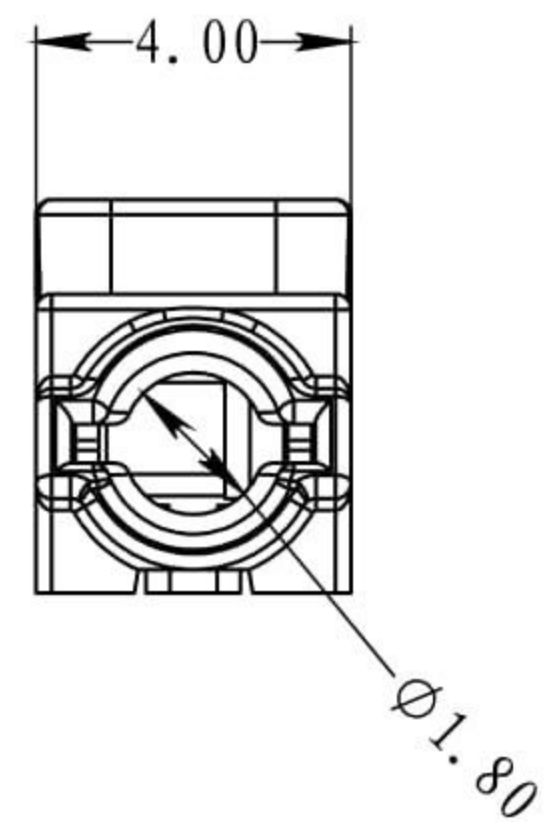
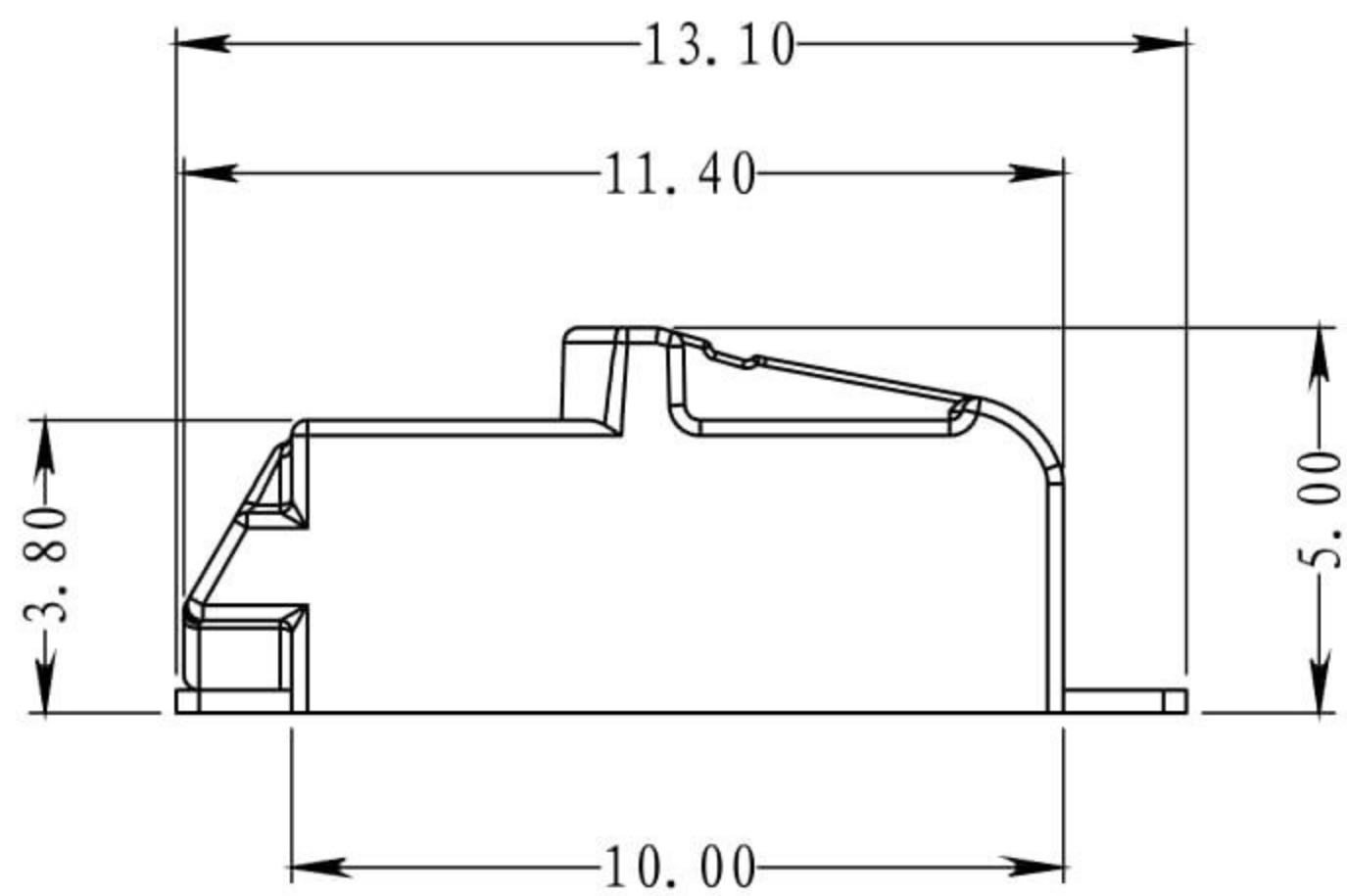
Packing Details

| | |
|--------|----------------------|
| L1-N1P | 13500pcs per exp ctn |
| L1-N2P | 9000pcs per exp ctn |
| L1-N3P | 6750pcs per exp ctn |

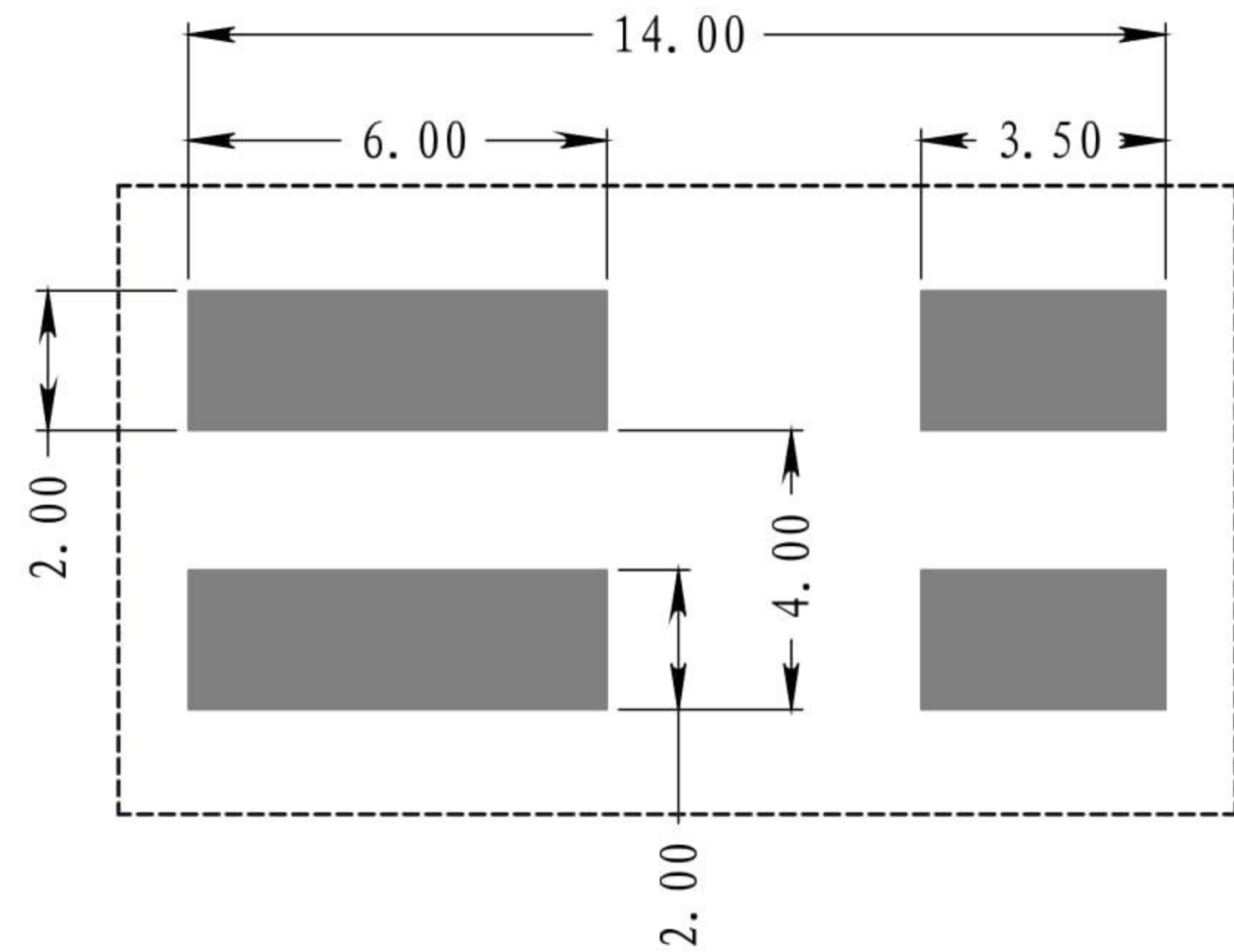
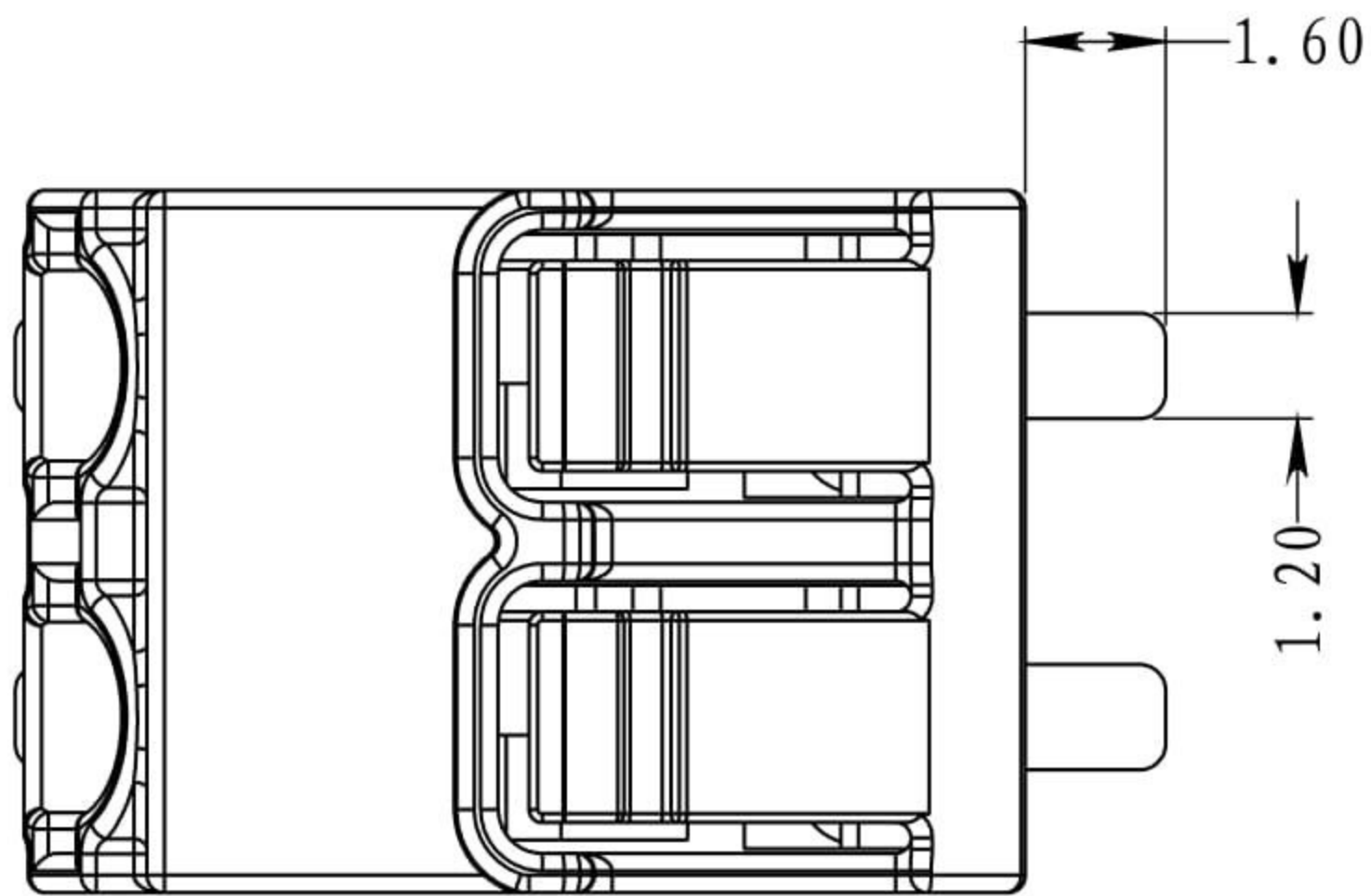
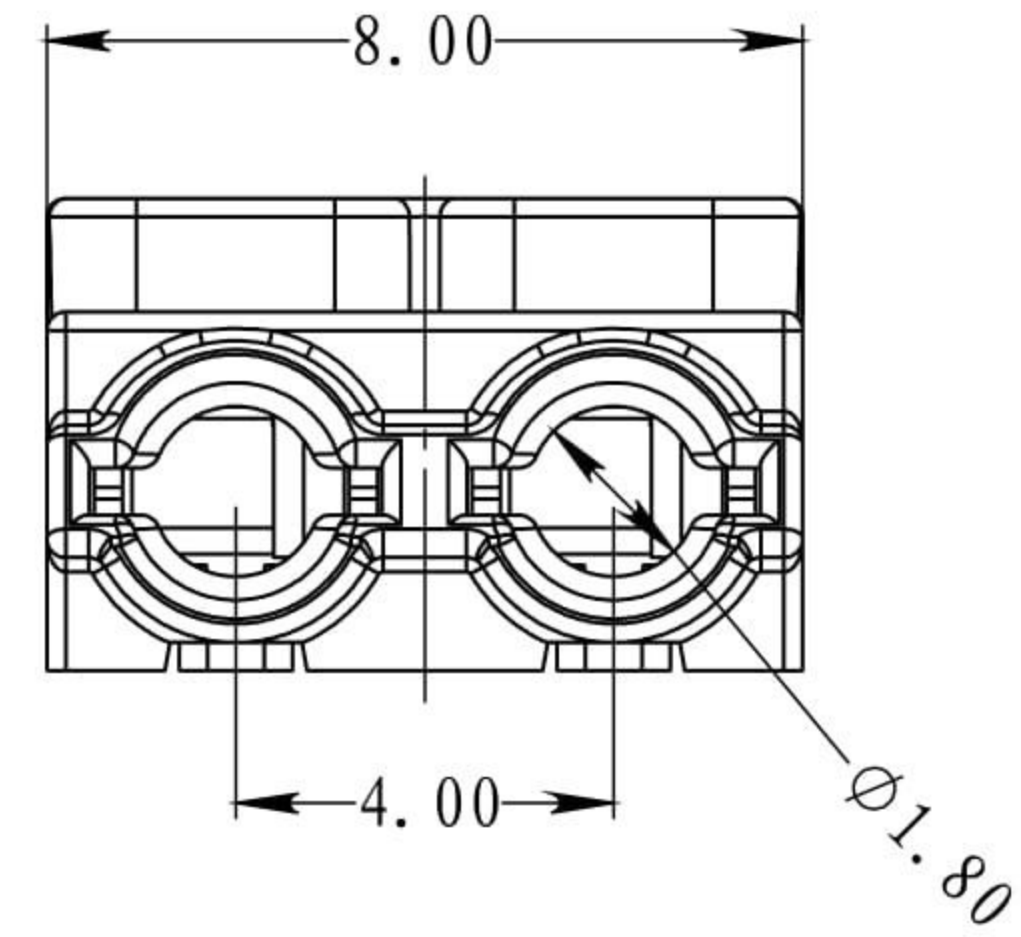
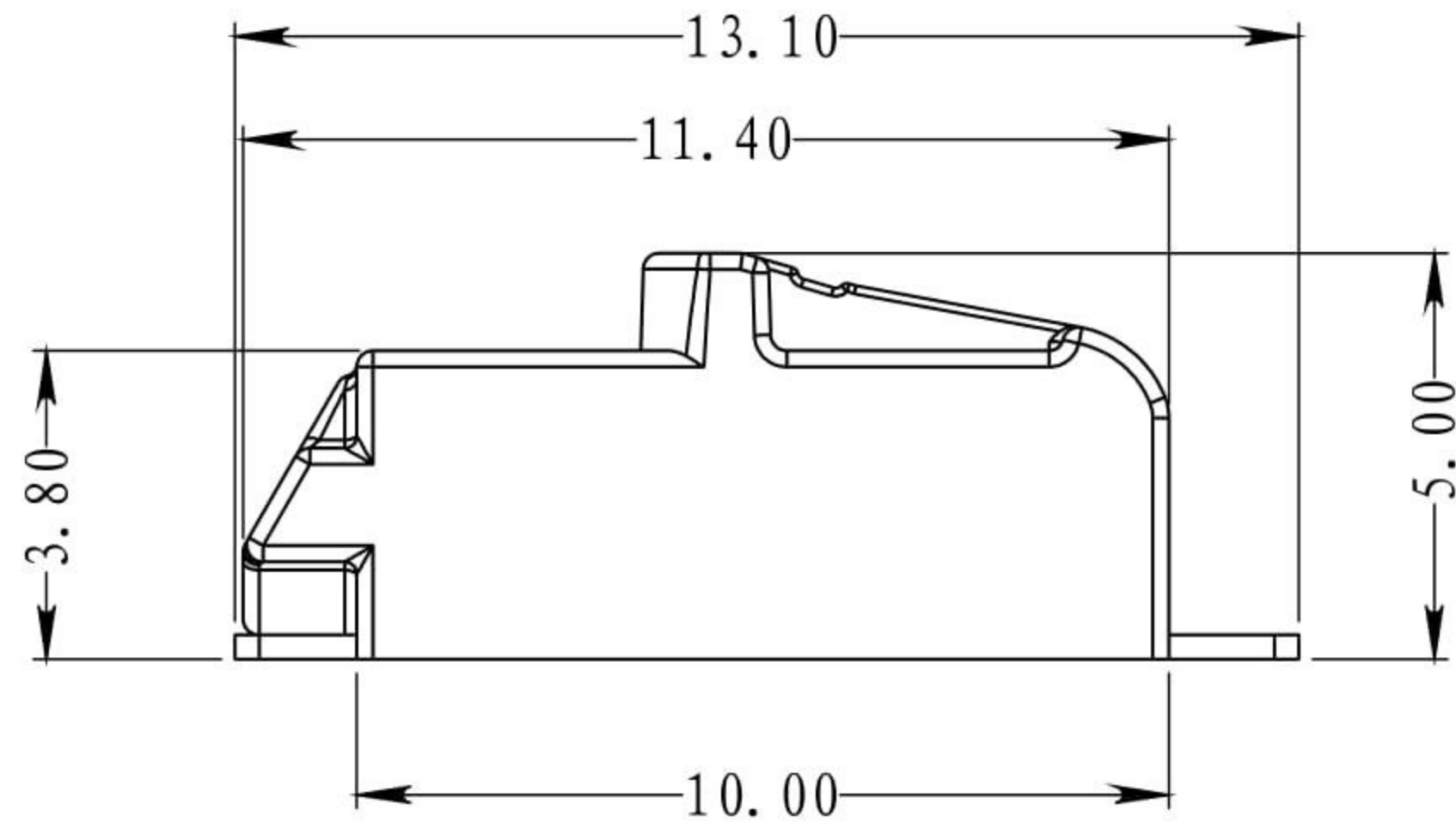
Contact TS Connect AB for more Information

Product Code

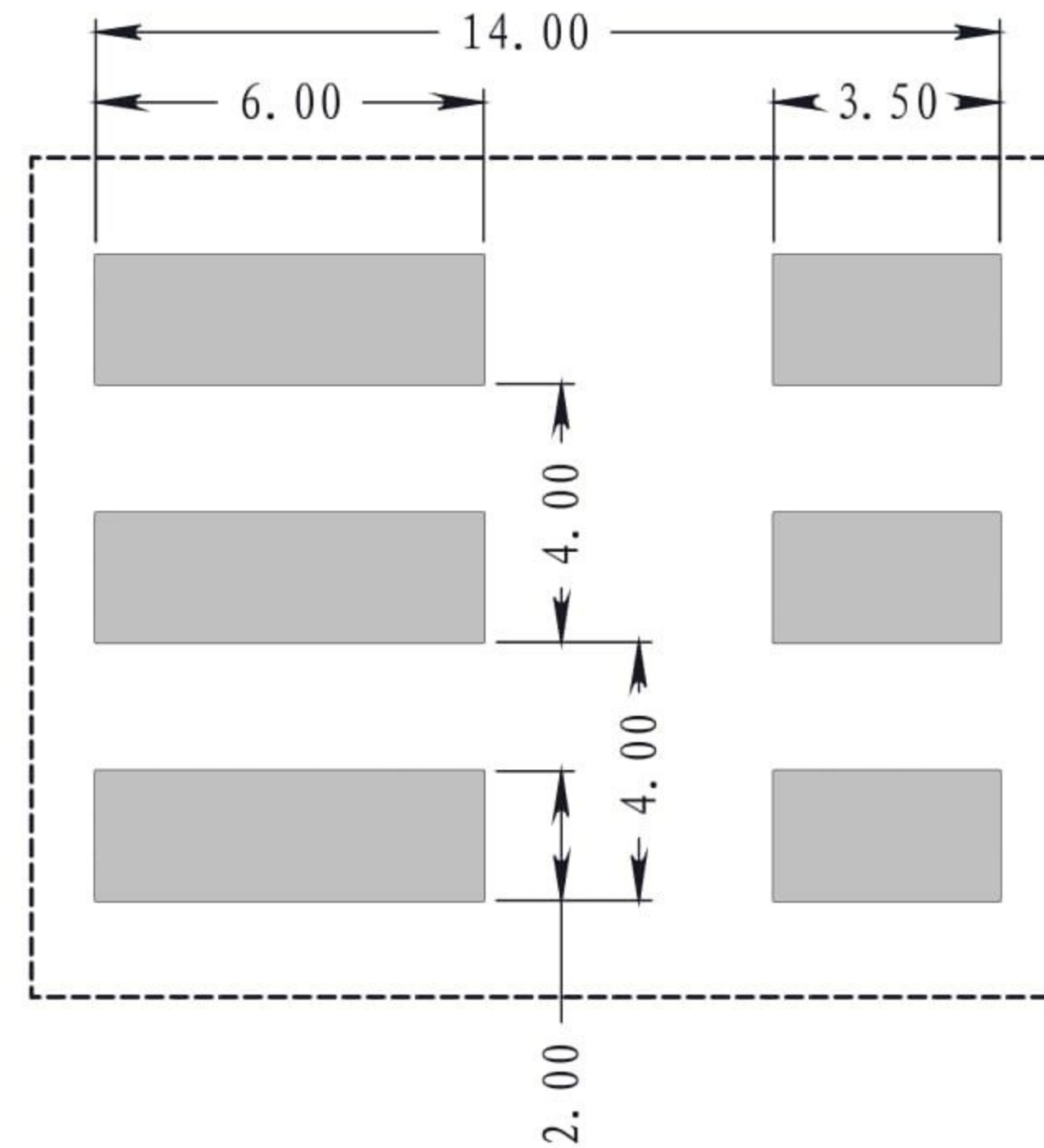
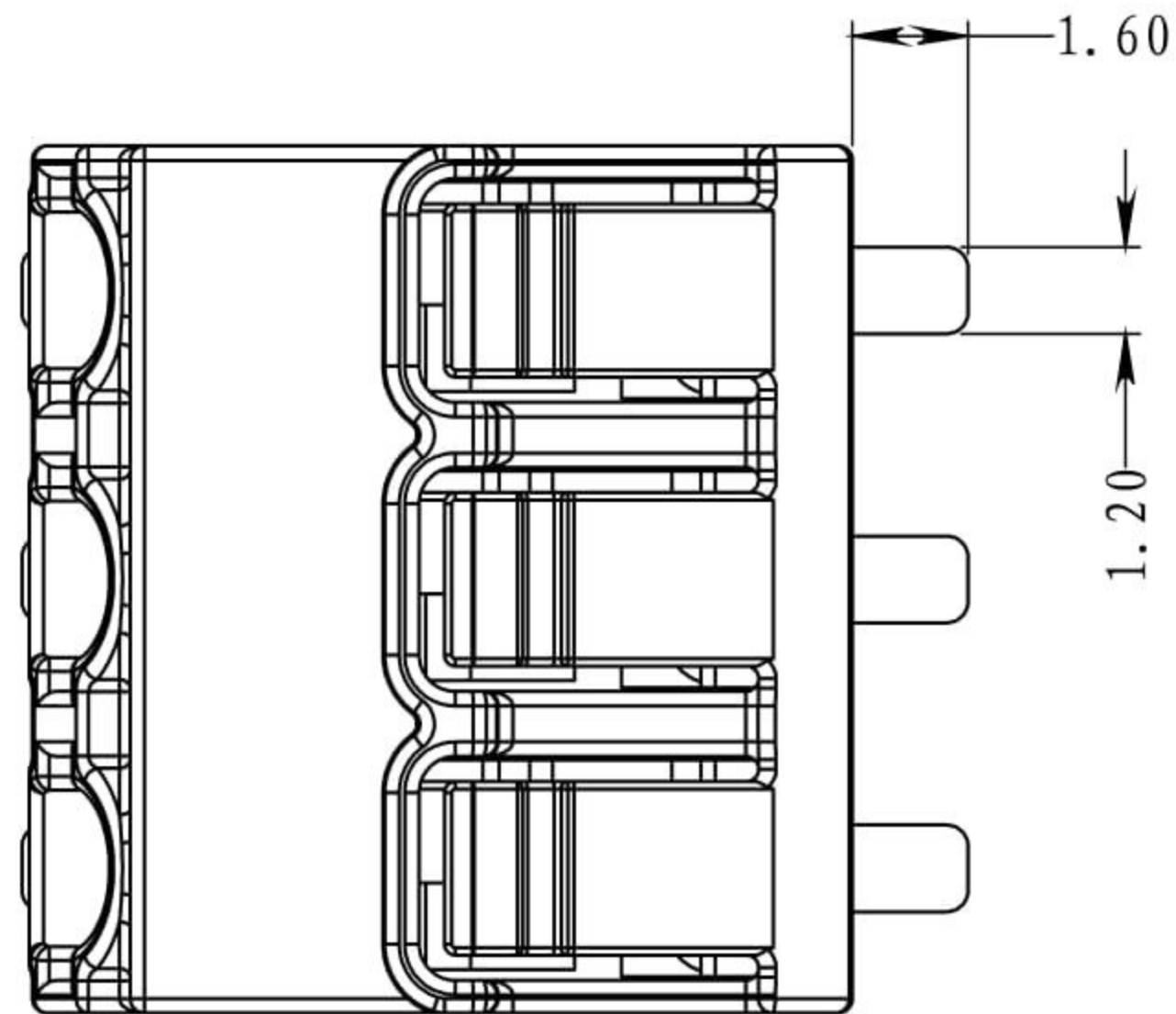
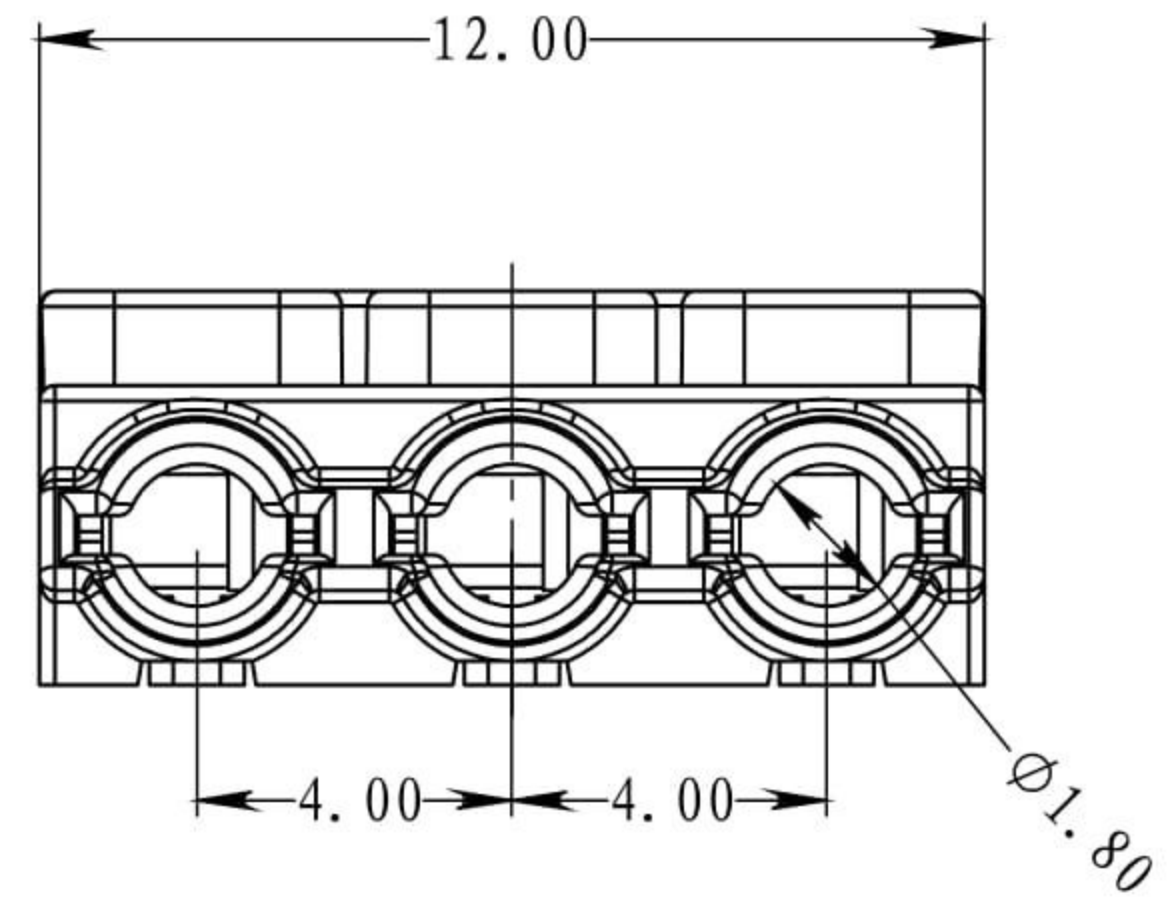
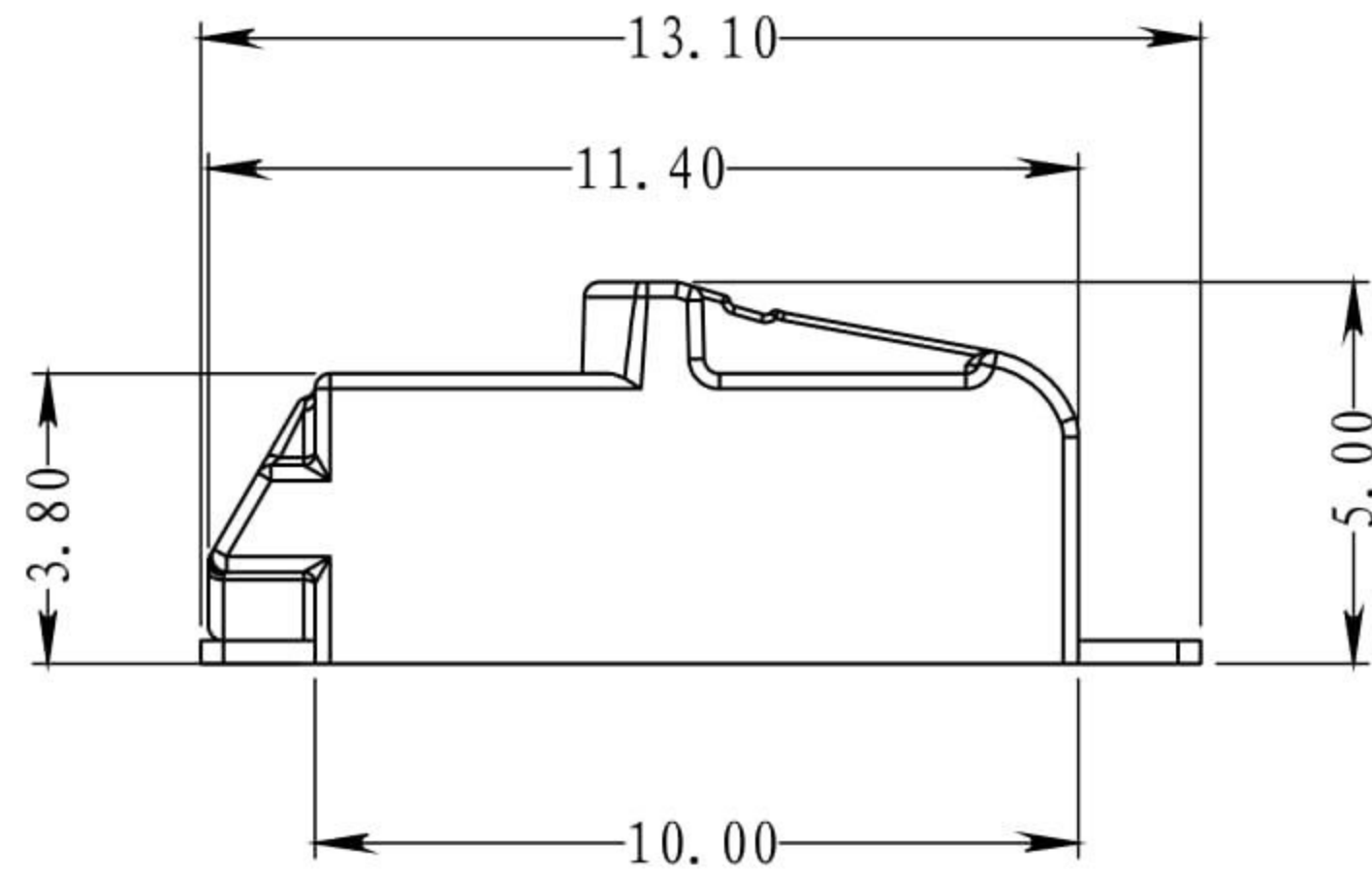
L1 - N_P
 Number of Connection Points: 1 / 2 / 3



| | | | | | | | |
|-------|--|------|--|-------------------------|---|-------|-----|
| | | | | MODEL NO: L1-N1P | | | |
| DRAWN | | DATE | | EDITION | A | SCALE | 5:1 |



| | | | | | | | |
|-------|--|------|--|------------------|---|-------|-----|
| | | | | MODEL NO: L1-N2P | | | |
| DRAWN | | DATE | | EDITION | A | SCALE | 6:1 |



| | | | | | | | |
|-------|--|------|--|------------------|---|-------|-----|
| | | | | MODEL NO: L1-N3P | | | |
| DRAWN | | DATE | | EDITION | A | SCALE | 5:1 |